



CLEANTECH Series SB9 Ball Valve

Three-Piece Sanitary Ball Valve, Sizes 1/2" ~ 4"

SB9

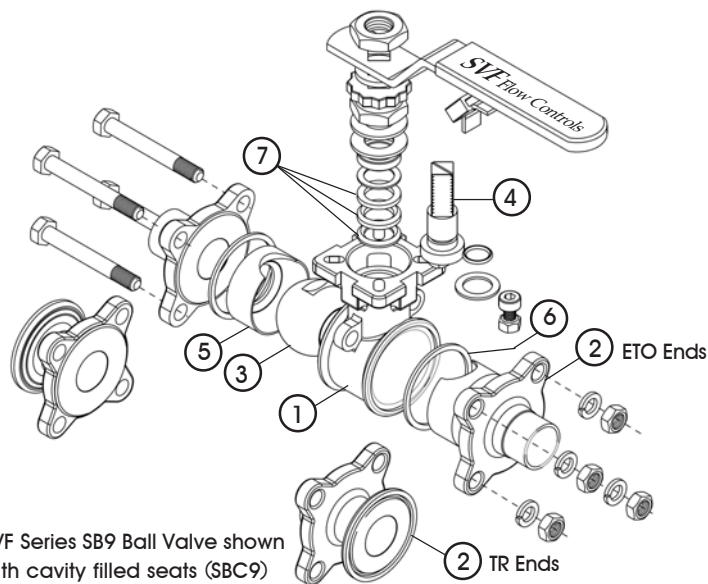
The SVF Series SB9 Sanitary Ball Valve is the newest member to our CLEANTECH™ family of high purity products. The SB9 is an ideal, competitively priced solution for manual and automated ball valve requirements in semiconductor, food & beverage, dairy, flavorings, cosmetic and fragrance applications.

SERIES SB9 DESIGN FEATURES

- ≡ Three piece investment cast stainless steel
- ≡ TFM 1600™ seat and body seal material complies with FDA CFR Title 21 Part 177.1550
- ≡ Locking device helps prevent accidental operation
- ≡ "Tube-ID" flow path for drainability
- ≡ Three-piece "swing out" design offers easy access for in-line maintenance
- ≡ Built-In ISO 5211 direct mounting pad for easy actuation
- ≡ Mechanically polished surface
- ≡ Blowout proof stem adds safety & reliability
- ≡ All materials comply with applicable ASTM material specifications and FDA, USDA and 3A requirements
- ≡ End connections include Tri-Clamp and Extended Tube O.D.
- ≡ Standard Anti-Static Device
- ≡ Optional TFM 1600™ cavity filled seats available (SBC9)



The SB9 CleanTECH Ball Valves are available with additional options. Contact SVF for more information.



SVF Series SB9 Ball Valve shown with cavity filled seats (SBC9)

MATERIALS OF CONSTRUCTION

ITEM	DESCRIPTION	MATERIALS SPECIFICATIONS (Additional options available)
1	Body	316 Stainless Steel (ASTM A351 CF8M)
2	End Connector	TR Ends: 316 Stainless Steel (ASTM A351 CF8M) ETO Ends: 316L Stainless Steel (ASTM A351 CF3M)
3	Ball	316 Stainless Steel (ASTM A351 CF8M)
4	Stem	SUS316
5	Seat	TFM1600™ Cavity Filled optional (SBC9)
6	Body Seal	TFM1600™
7	Stem Seal	TFM1600™

SPECIFICATION STANDARDS OF COMPLIANCE

SVF Series SB9 Ball Valves are available in designs that meet the following Industry Standards:

- ISO
- ANSI
- NACE
- MSS
- ASME
- ASTM

Contact SVF for specific applications

Specifications subject to change. Please visit www.SVF.net for the latest updates on this Data Sheet. All Data Sheets posted on our website supersede all prior publications

[Document# SVF_SB9_Data_Sheet • Series SB9 Data Sheet - 07/07/2012]

SVF Flow Controls, Inc. • 13560 Larwin Circle • Santa Fe Springs, CA 90670 • Tel: 1.800.783.7836 • FAX: 562.802.3114
Sales@SVF.net • Visit our website: www.SVF.net • © SVF Flow Controls, Inc. • Specifications subject to change without notice

www.SVF.net





CLEANTECH Series SB9 Ball Valve

Three-Piece Sanitary Ball Valve, Sizes 1/2" ~ 4"

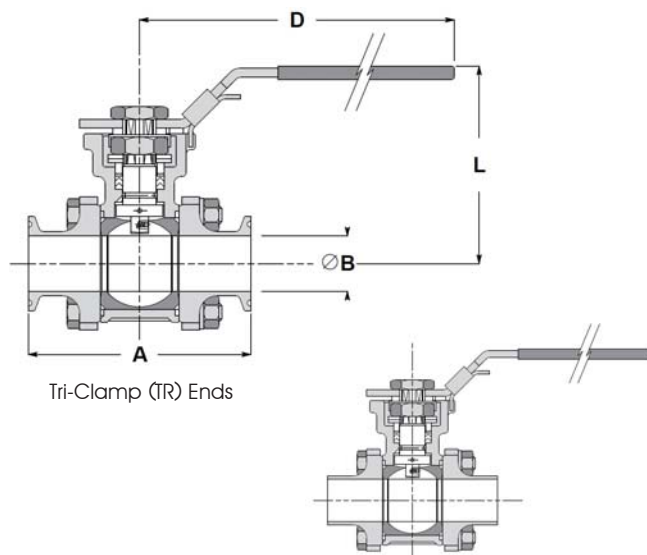
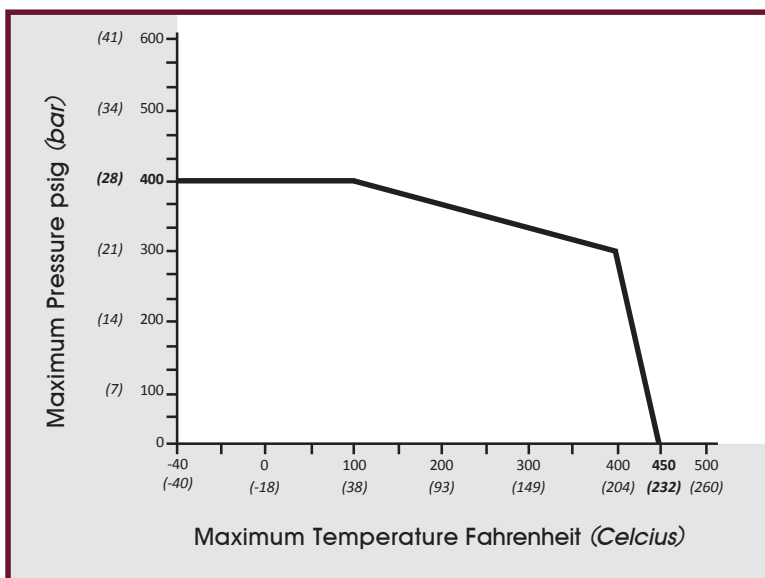
SB9

DIMENSIONS, WEIGHT, Cv, TORQUE

Size	A		B		D		L		Weight.		Cv	Torque*	
	in.	mm	in.	mm	in.	mm	in.	mm	lbs	kg		in-lb _f	Nm
1/2"	3.54	90	0.37	10	5.71	145	2.72	69	1	0.7	13	44	5
3/4"	3.54	90	0.62	16	5.71	145	2.99	76	2	0.9	18	53	6
1"	3.94	100	0.87	22	6.89	175	3.54	90	3	1.5	48	93	11
1-1/2"	4.92	125	1.37	35	7.68	195	4.06	103	5	2.2	120	195	22
2"	5.91	150	1.87	48	7.68	195	4.29	109	7	3.3	190	283	32
2-1/2"	7.48	190	2.37	60	10.43	265	5.79	147	18	8.4	450	434	49
3"	8.66	220	2.87	73	10.43	265	6.06	154	20	9.2	600	717	81
4"	10.63	270	3.84	98	15.75	400	8.07	205	30	13.5	1100	1080	122

* At full differential pressure for clean fluids with TFM1600™ Seats

SB9 - PRESSURE/TEMPERATURE CHART



Dimension "A" is the same for TR Ends or ETO Ends

HOW TO ORDER SERIES SB9 BALL VALVES

CLEANTECH

SERIES	BODY & END MATERIAL	BALL & STEM MATERIAL	SEAT	BODY SEAL	ENDS	SIZE
SB9	6 = 316 Stainless Steel ASTM A351 CF8M Body CF8M 316 TR Ends CF3M 316L ETO Ends	6 = 316 Stainless Steel ASTM A351 CF8M Ball SUS316 Stem	A = TFM1600™	A = TFM1600™	TR = Tri-Clamp ETO = Extended Tube OD	05 = 1/2" 07 = 3/4" 10 = 1" 15 = 1-1/2" 20 = 2" 25 = 2-1/2" 30 = 3" 40 = 4"
Order Example: (SB966AATR05)						
Example Description: Stainless Steel Body & Ends, Stainless Steel Ball & Stem, TFM1600™ Seats, TFM1600™ Body Seal, Tri-Clamp Ends, 1/2" Size						
SB9	6	6	A	A	TR	05

Specifications subject to change. Please visit www.SVF.net for the latest updates on this Data Sheet. All Data Sheets posted on our website supersede all prior publications • [Document # SVF_SB9_Data_Sheet • Series SB9 Data Sheet • 07/07/2012]