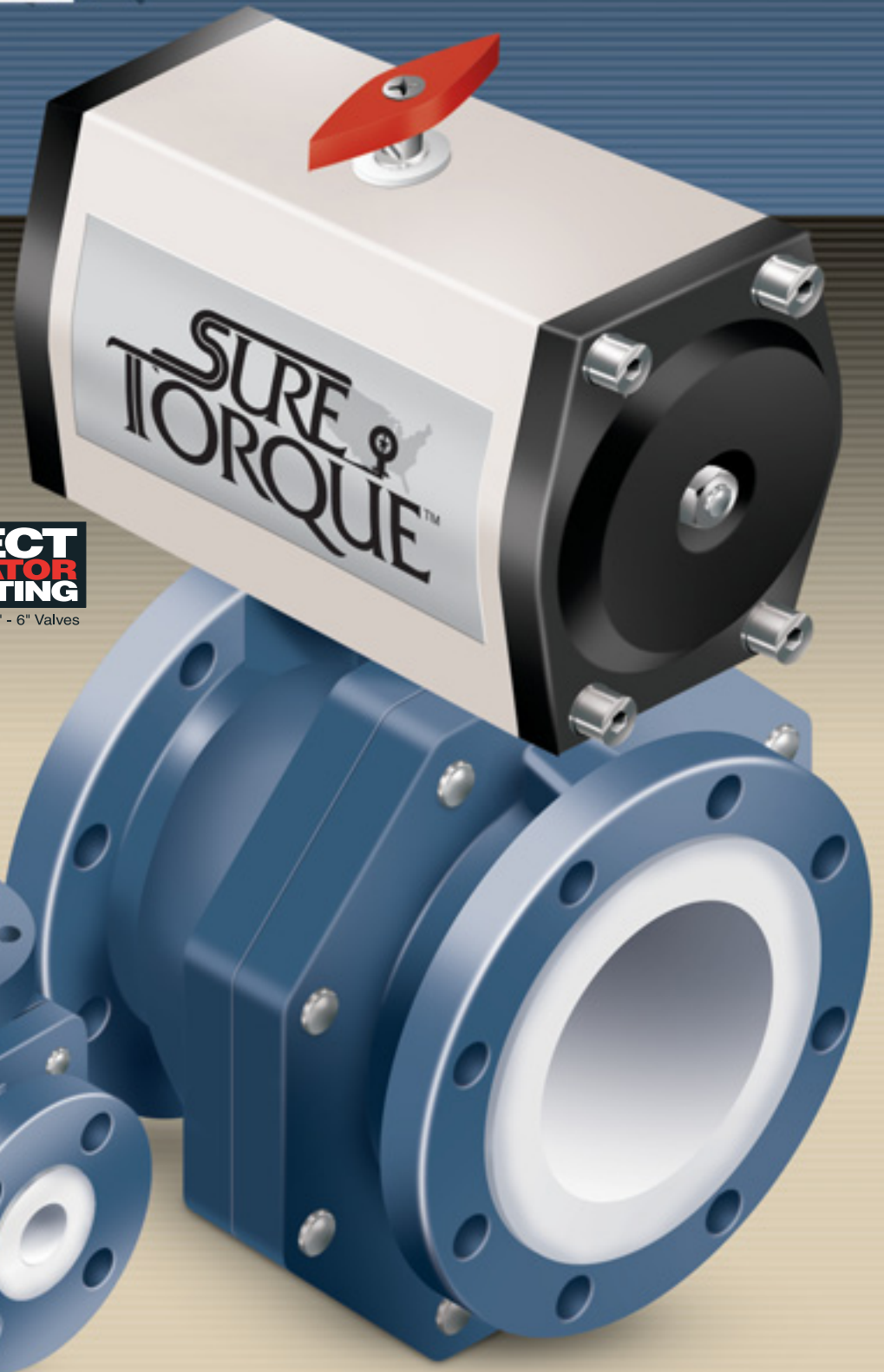




Sure Seal's Beltech LBV Series 100

1"-6" Full Port Lined Ball Valve
ANSI CLASS 150

SURE SEAL INCORPORATED IS PROUD TO BE



Direct Actuator Mounting on 1" - 6" Valves

Sure Seal's Beltech LBV

Series 100

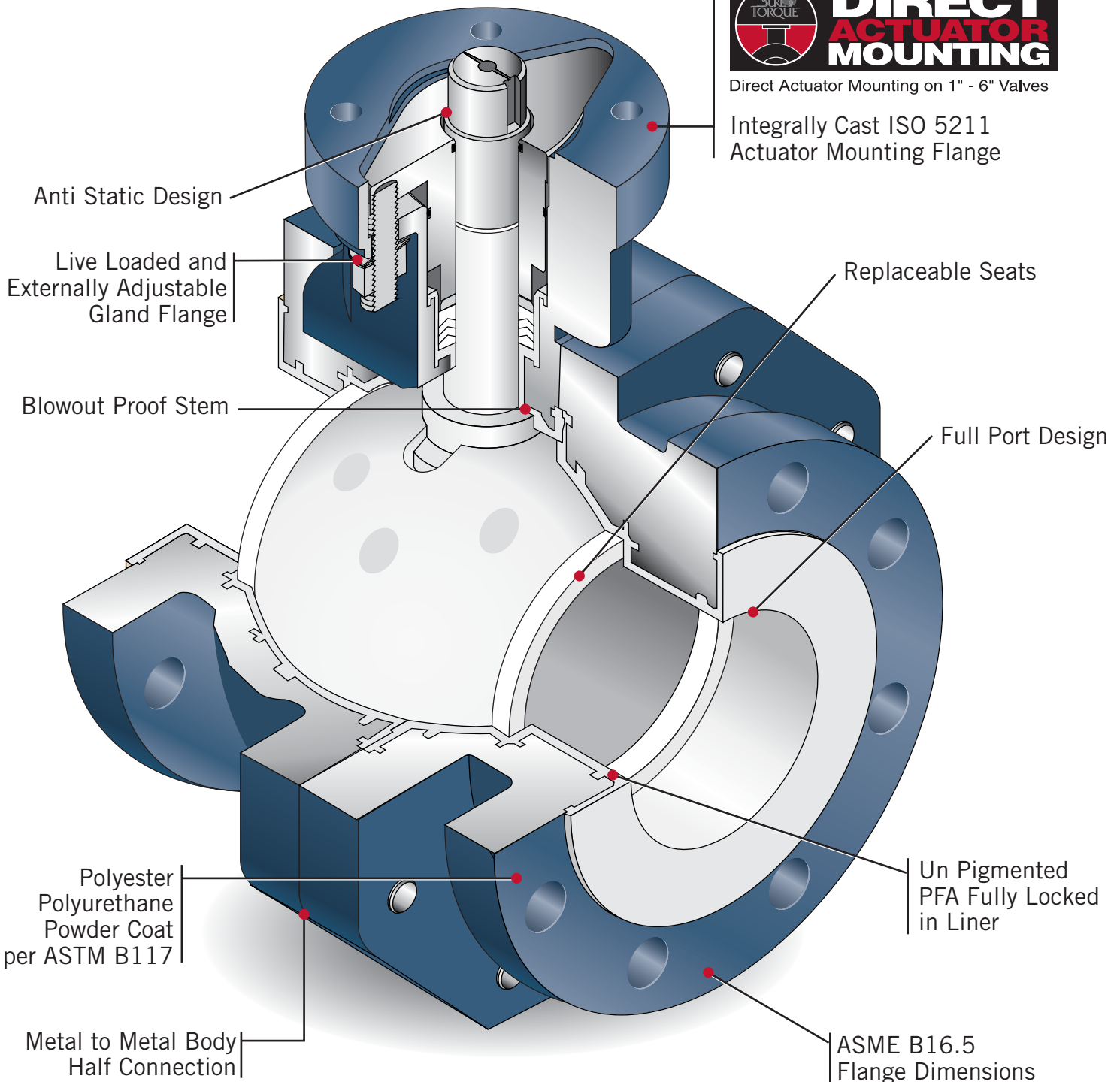
Lined Ball Valve, Full Port, Class 150

DESIGN CRITERIA

All Sure Seal Beltech LBV Series 100 Ball Valves conform to the following specifications: ASME B16.5, ASME B16.10, ASME B16.42, ISO 5211, and MSS-SP25.



Direct Actuator Mounting on 1" - 6" Valves



SPECIFICATIONS

DIRECT ACTUATOR MOUNTING

The ISO 5211 mounting flange allows the direct mounting of actuators; thus eliminating costly automation hardware.

SEPARATE BALL AND STEM

A separate lined ball and stem allows the ball to float. This prevents side loading which creates stem leaks. Some manufacturers use a one piece ball and stem that fail under high pressure situations. The Series 100 valve design prevents this from occurring.

ANSI B16.10 FACE-TO-FACE

Standard take out dimensions allows the Series 100 valve to replace any standard ball, plug or gate valve.

METAL-TO-METAL BODY JOINT

The primary seal is a soft joint between the body halves. In addition to this seal there is a metal-to-metal body joint that prevents possible leakage from temperature changes or line stresses. Damage to the seal can not be caused by over tightening.

LOCKED IN LINER

Sure Seal's PFA liner is locked into machined dovetails and slots in the body halves and cast holes in the ball. This design prevents liner break down and blow out in high pressure or vacuum situations that include high temperature ranges.

SERVICE CONDITIONS

The Series 100 valve can be used in service ranging from full vacuum up to 250 psi.

PRE-LOADED SEATS

A true floating ball design does not seal well at low pressure. The Series 100 valve utilizes interference between the ball and the seats, which under low-pressure, results in a tight shut-off.

LIVE LOADED GLAND FLANGE

The packing is live loaded with Belleville spring washers. It is also externally adjustable so that even with an actuator attached the packing can be easily tightened.

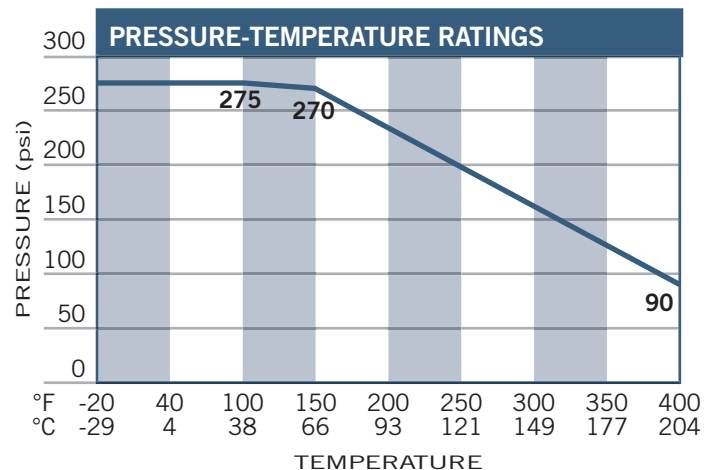
LOCKABLE HAND LEVER

The Series 100 valve has a lockable hand lever which comes standard. This allows user to lock valve in open or closed position.

VALVE OPERATING CHARACTERISTICS

VALVE SIZE	TORQUE	Cv	APPROX Wt. (LBS.)
1"	120	55	14
1.5"	167	215	22
2"	298	290	32
3"	723	672	61
4"	1212	1410	107
6"	1809	2990	160

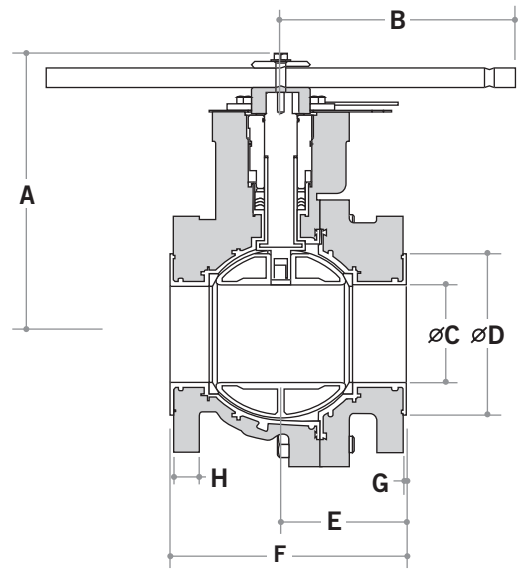
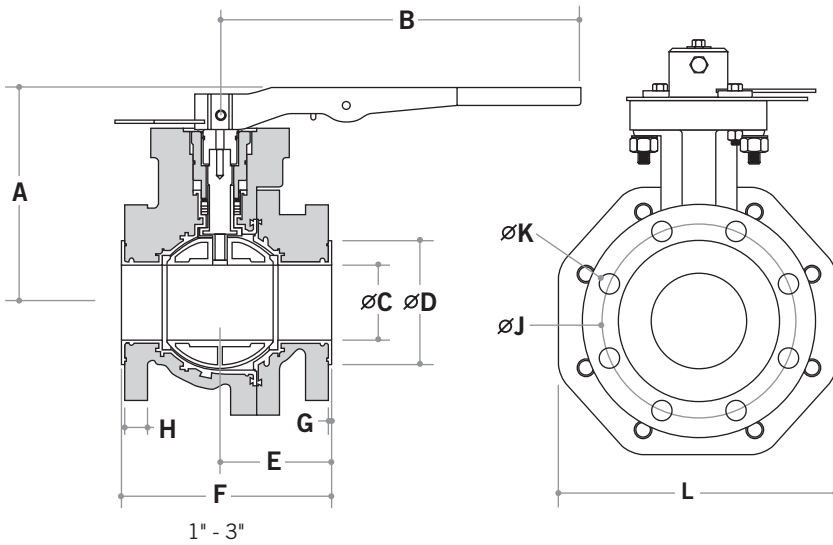
TORQUE IS IN INCH-POUNDS



QUALITY ASSURANCE

Sure Seal's LBV series lined ball valves are strictly produced under a company committed, statistical quality assurance process to assure defect-free products that are delivered to our customers on time. All valves are manufactured utilizing the latest computer aided production methods and molding technology, guaranteeing control of the manufacturing process and reduction of rework. Each valve is individually tested in accordance with the API 598 specifications and is spark tested with 30,000 volts to assure lining integrity. Each valve is individually designed and tested using applicable standards as a minimum requirement. A PMI process is performed on all critical components allowing total identification. Valves are also subject to visual and dimensional examinations as well as functional tests. Upon successfully completing all testing, each valve is assigned a stainless steel serial numbered identification plate that quickly identifies the valve and assures complete traceability. Mill Test Certificates are available upon request.

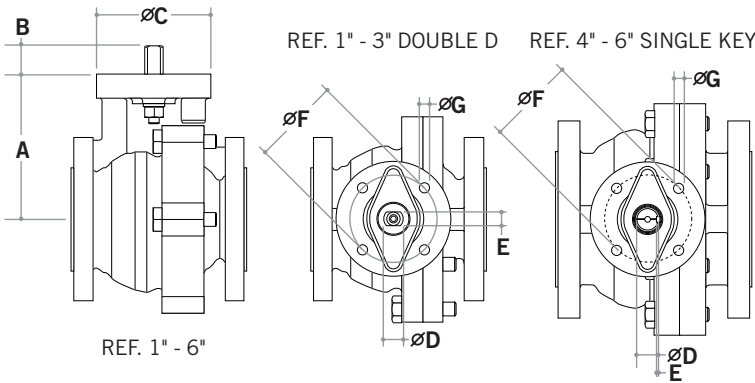
DIMENSIONAL DATA



VALVE SIZE	A	B	C	D	E	F	G	H	J	K	K1	L
1"	4.88	10.31	.91	2.00	2.73	5.02	.09	.52	3.13	.63	4	4.25
1.5"	5.75	10.31	1.42	2.88	3.50	6.51	.09	.63	3.88	.63	4	5.00
2"	6.15	10.31	1.85	3.63	3.74	7.02	.12	.69	4.75	.75	4	5.81
3"	8.10	13.75	2.85	4.75	4.22	8.02	.12	.82	6.00	.75	4	9.44
4"	10.75	9.00	3.70	6.19	4.76	9.02	.12	1.01	7.50	.75	8	10.63
6"	11.92	12.00	5.70	8.13	5.26	10.52	.12	1.07	9.50	.88	8	13.00

NOTE: ALL DIMENSIONS ARE IN INCHES, K1 IS NUMBER OF HOLES PER FLANGE

ACTUATOR MOUNTING DIMENSIONS



VALVE SIZE	ISO FLANGE	A	B	C	D	E	F	G
1"	F07	3.69	1.13	3.56	.750	.500	2.76	.35
1.5"	F07	4.56	1.13	4.00	.750	.500	2.76	.35
2"	F07	4.97	1.13	4.00	.750	.500	2.76	.38
3"	F10	6.68	1.31	5.25	.875	.625	4.02	.44
4"	F10	8.48	.81	5.25	1.125	.125	4.02	.44
6"	F12	9.66	.81	6.00	1.125	.125	4.02	.56

NOTE: ALL DIMENSIONS ARE IN INCHES

SAMPLE ORDERING CODE

LBV - 1.5 - D - P - P - P - 05 - EP - F

Size	Body Material	Body Lining	Ball	Stem	Operator	Accessories	Options
1"-6"	D A395 Ductile Iron S CF8M Stainless Steel	P PFA	P PFA Lined Carbon Steel S PFA Lined 316 Stainless Steel	P PFA Lined Duplex Stainless Steel CD4MCu	00 Bare Stem 01 Lockable Lever Handle 02 Manual Gear 03 Double Acting Pneumatic Actuator 04 Fail Open Pneumatic Actuator 05 Fail Closed Pneumatic Actuator 06 Electric Actuator	P Pneumatic Positioner EP Electro Pneumatic Positioner PS Proximity Switch Box LS Micro Limit Switches	S Solenoid Valve F Filter Regulator with guage M Manual Override



Making a big difference to your bottom line.

11172 State Highway O • Mineral Point, Missouri 63660
 (573) 438-5000 • Fx (573) 438-4853
 www.suresealinc.com • ssi@suresealinc.com

Purchasers are expected to make their own tests to determine the suitability of these products for their particular purposes. The data represented in this brochure are for general information only. Manufacturer is not responsible for acceptability of these products in regard to individual system requirements. For specific performance data and correct materials selection, please contact your Sure Seal Dealer.

©2004 Sure Seal, Incorporated • Printed in the USA