



Triac Series 55 Ball Valves feature a high quality investment cast body and ends. They are available 1/4" – 4" with threaded, socket weld and butt weld ends. Superior leak protection is accomplished by using a live-loaded packing system including Belleville washers and double "V" ring packing.

VALVE SIZE	VALVE Cv
1/4"	6
3/8"	9
1/2"	21
3/4"	37
1"	58
1-1/4"	93
1-1/2"	139
2"	232
2-1/2"	371
3"	557
4"	835

**Easy to Automate!**

See automated data sheets for pre-sized assemblies



Pneumatic



Electric



**Series 55**  
**3-Piece**  
**Design**

**Sizes 1/4" – 4"**

**Economical**

**Full Port**

**ISO 5211 Mounting Pad**

**800 & 1000 PSI WOG (by size)**

**Available 316SS or WCB**

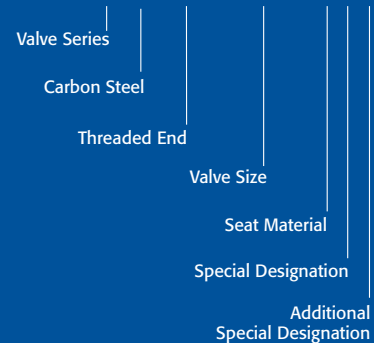
**STANDARDS**

ANSI B16.34, B16.25, B16.11, B1.20.1  
API 6D  
BS 5351, 6755  
ISO 5211  
MSS SP25, SP72

**HOW TO ORDER**  
**MANUAL VALVES**

SAMPLE PART #

**55C-TH-0300-XXX**



See part number matrix for itemized options



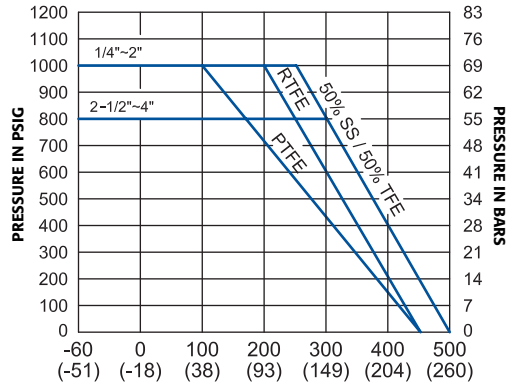
Triac Division  
11363 Deerfield Rd.  
Cincinnati, Ohio 45242  
PHONE (513) 247-5465  
FAX (513) 247-5462  
e-mail: sales@a-tcontrols.com  
www.a-tcontrols.com

# Series 55

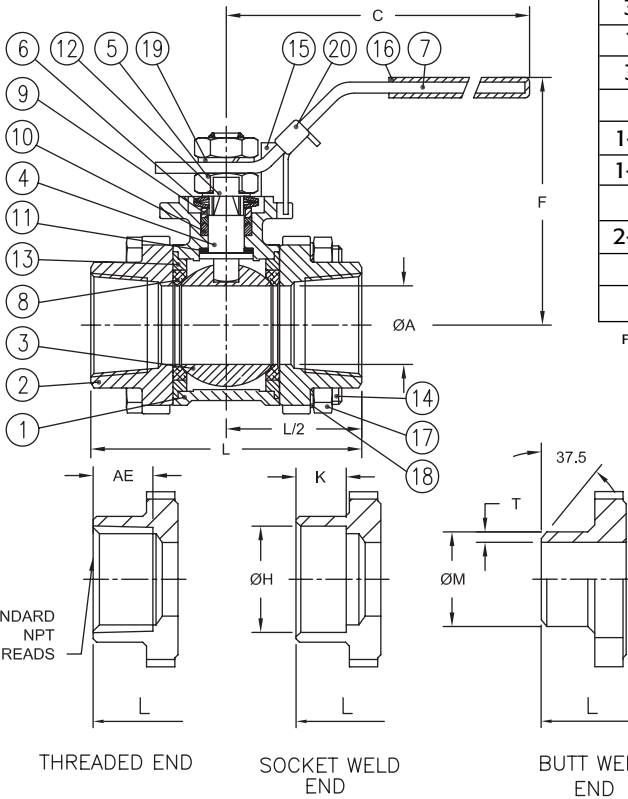
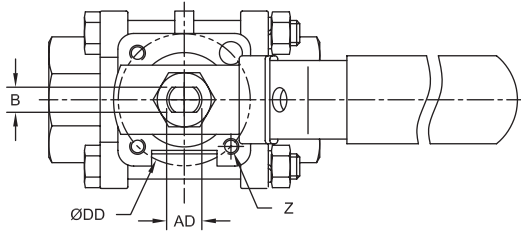
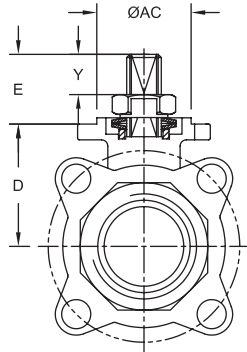
**Economical  
Full Port  
3-Piece Ball Valve**

**ISO 5211 Mounting Pad  
1000 & 800 PSI WOG (by size)  
1/4" to 4"**

**Pressure vs. Temperature Chart**



TEMPERATURE IN °F (°C)  
CONSULT FACTORY FOR OTHER SEAT MATERIALS



Break Away Torque for RTFE Seats	
SIZE	IN-LBS.
1/4"	62
3/8"	62
1/2"	62
3/4"	80
1"	141
1-1/4"	150
1-1/2"	257
2"	319
2-1/2"	522
3"	691
4"	1151

FOR OTHER SEAT MATERIAL  
CONSULT FACTORY

**MATERIALS LIST**

NO.	PART NAME	QTY.	MATERIAL	
			Stainless Steel	Carbon Steel
1	Body	1	CF8M	WCB
2	End Cap	2	CF8M	WCB
3	Ball	1	SS316	SS316
4	Stem	1	SS316	SS316
5	Stem Nut	2	SS304	SS304
6	Belleville Washer	2	SS301	SS301
7	Handle	1	SS304	SS304
8	Seat	2	RTFE	RTFE
9	Gland Bushing	1	SS304	SS304
10	Gland Packing	1Set	PTFE	PTFE
11	Thrust Washer	1	RTFE	RTFE
12	Stop Washer	1	SS304	SS304
13	Joint Gasket	2	PTFE	PTFE
14	Bolt	*	SS304	SS304
15	Stop Pin	1	SS304	SS304
16	Handle Sleeve	1	Vinyl	Vinyl
17	Nut	**	SS304	SS304
18	Lock Washer	**	SS304	SS304
19	Stem Washer	1	SS304	SS304
20	Locking Device	1	SS304	SS304

\* For 1/4" to 2" - 4 pcs. of bolts (single end, external thread)  
\* For 2-1/2" to 3" - 4 pcs. of bolts (double ends, external thread) For 1/4"  
\* For 4" - 6 pcs. of bolts (double ends, external threads)  
\*\* For 1/4" to 2" - 4 pcs. For 2-1/2" to 3" - 8 pcs. For 4" - 12 pcs.

**DIMENSION (IN.)**

SIZE	A	B	C	D	E	F	H	K	L	M	T	Y	Z	AC	AD	AE	DD	LBS.	ISO5211
1/4"	0.45	0.256	5.12	1.15	0.780	2.95	0.56	0.39	2.51	0.64	0.06	0.291	M5	0.98	0.374	0.42	1.417	0.8	F03
3/8"	0.50	0.256	5.12	1.15	0.780	2.95	0.69	0.39	2.51	0.69	0.06	0.291	M5	0.98	0.374	0.53	1.417	0.8	F03
1/2"	0.59	0.256	5.12	1.15	0.780	2.95	0.86	0.39	2.51	0.89	0.06	0.291	M5	0.98	0.374	0.53	1.417	1.2	F03
3/4"	0.79	0.256	5.12	1.28	0.689	3.03	1.07	0.51	3.00	1.08	0.06	0.252	M5	0.98	0.374	0.58	1.417	1.7	F03
1"	0.98	0.315	6.30	1.53	0.815	3.35	1.33	0.51	3.39	1.34	0.06	0.484	M5	1.18	0.433	0.66	1.654	2.4	F04
1-1/4"	1.26	0.315	6.30	1.59	1.000	3.62	1.69	0.51	4.05	1.68	0.06	0.429	M5	1.18	0.433	0.76	1.654	3.8	F04
1-1/2"	1.50	0.382	7.28	1.82	1.220	4.02	1.93	0.51	4.70	1.91	0.06	0.539	M6	1.38	0.551	0.86	1.969	5.6	F05
2"	1.97	0.382	7.28	2.15	1.220	4.33	2.41	0.63	5.17	2.38	0.06	0.539	M6	1.38	0.551	0.86	1.969	7.1	F05
2-1/2"	2.56	0.472	260	2.81	1.677	5.91	2.91	0.63	6.46	3.00	0.08	0.807	M8	2.17	0.748	1.04	2.756	16.2	F07
3"	3.15	0.472	260	3.33	1.547	6.38	3.54	0.63	7.19	3.54	0.08	0.736	M10	2.76	0.748	1.23	4.016	24.7	F10
4"	3.94	0.472	290	4.19	2.059	7.48	4.55	0.79	9.28	4.57	0.14	1.165	M10	2.76	0.984	1.42	4.016	44.8	F10