

Manufactured and Assembled in the USA

895 Series

Rotary Valve

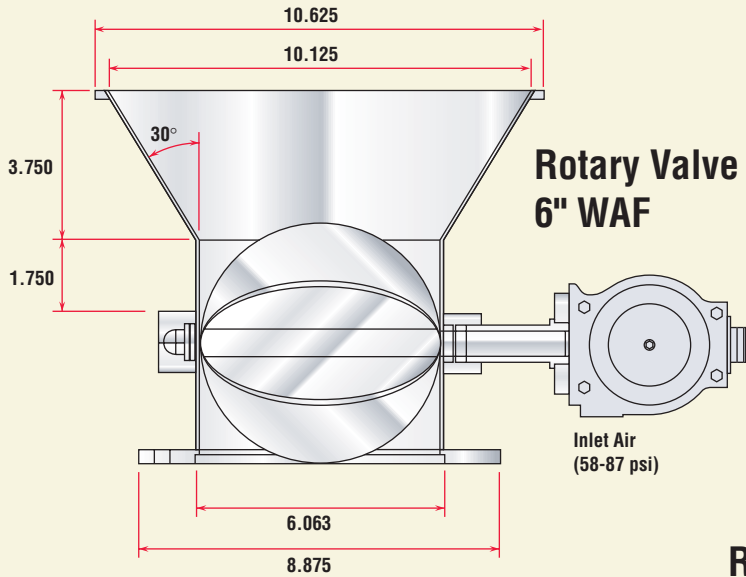


SURE SEAL INCORPORATED IS PROUD TO BE

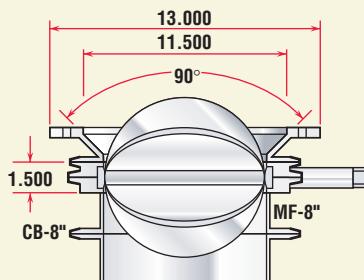
ISO 9001 certified



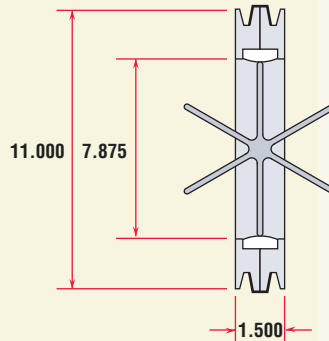
Completely interchangeable with Cora Valves



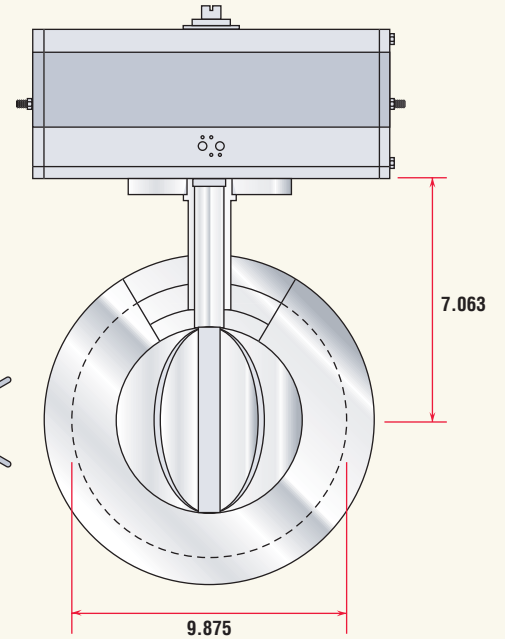
Rotary Valve 8" QCQR



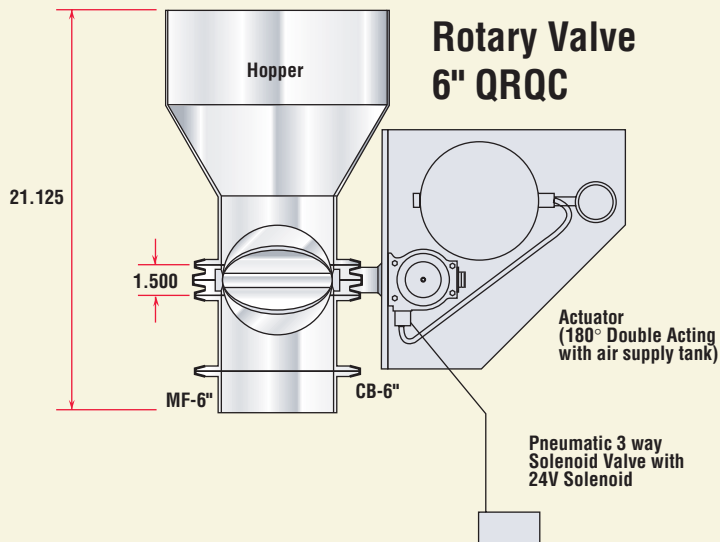
Rotary Valve 8" QRQC



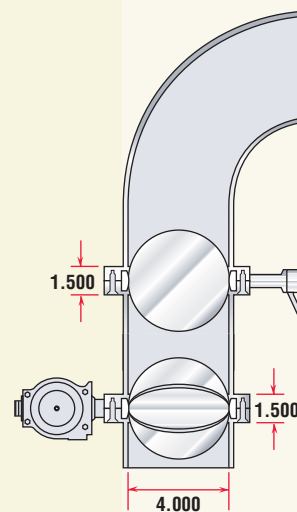
Actuator (180° Double Acting)



Rotary Valve 6" QRQC

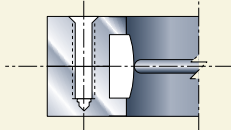


Sanitary Valve 4" WAF

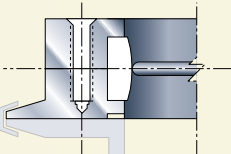


Rotary Valve 4" WAF

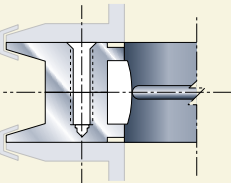
A s s e m b l i n g



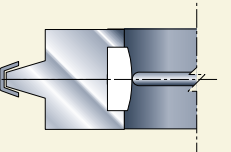
Model: Wafer (WAF)
Sizes Available: 4" - 10"



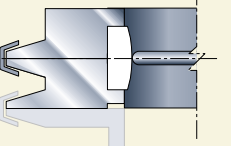
Model: Wafer - Quick Release (WQR)
Sizes Available: 4" - 10"



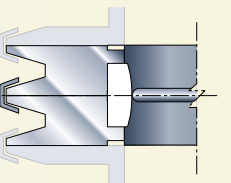
Model: Quick Release - Quick Release (QRQR)
Sizes Available: 4" - 10"



Model: Quick Clean (WQC)
Sizes Available: 4" - 10"

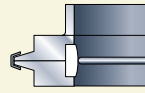


Model: Qck. Clean - Qck. Release (QCQR)
Sizes Available: 4" - 10"



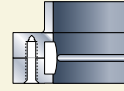
Model: Qck. Release - Qck. Clean (QRQC)
Sizes Available: 4" - 10"

Standard Applications



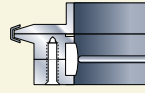
Model: Wafer - Quick Clean - Welded Spigot

Type: WQC-S



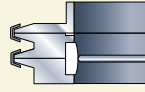
Model: Wafer - Welded Spigot

Type: WAF-S



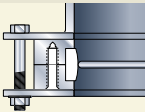
Model: Wafer - Qck. Release - Mnt. Flange - Clamp Band

Type: WQR-MF-B



Model: Wafer - Qck. Clean - Qck. Release - Mount Flange - Clamp Band

Type: QCQR-MF-B



Model: Wafer - Two Clamp Flanges

Type: WAF-2F

Half Bodies



Model: Wafer

Type: BW



Model: Quick Release

Type: QR



Model: Wafer, Quick Clean

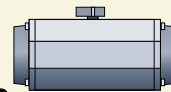
Type: WC



Model: Quick Clean, Quick Release

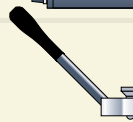
Type: RC

Accessories



Model: Double Acting Actuator, Pneumatic or Spring Return

Type: DA, SR



Model: Hand Lever with Locking Pin

Type: L



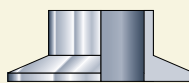
Model: Clamp Band

Type: B



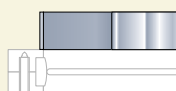
Model: Blanking Plate

Type: P



Model: Mounting Flange

Type: MF

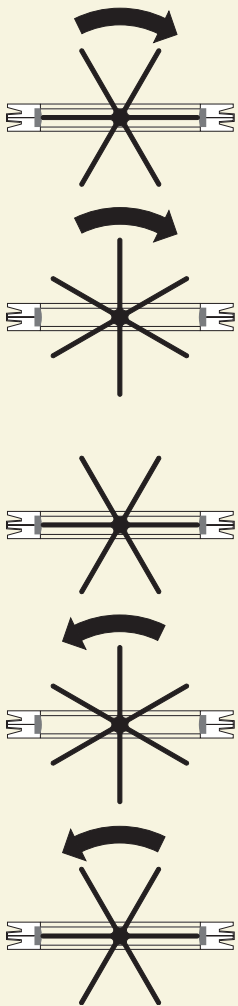


Model: Welding Spigot

Type: S

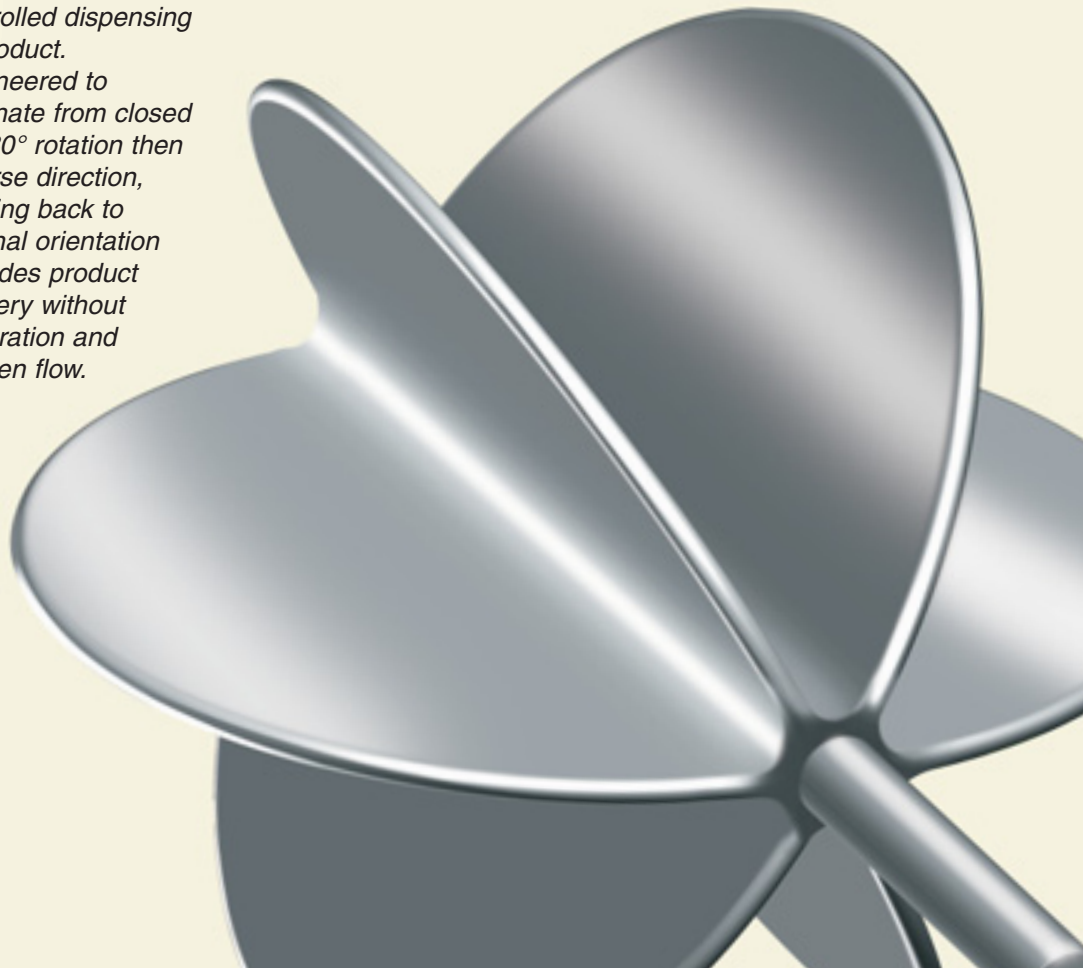


895 Series Rotary Valve

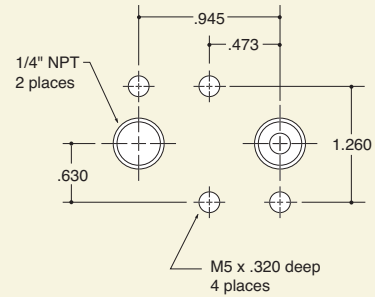
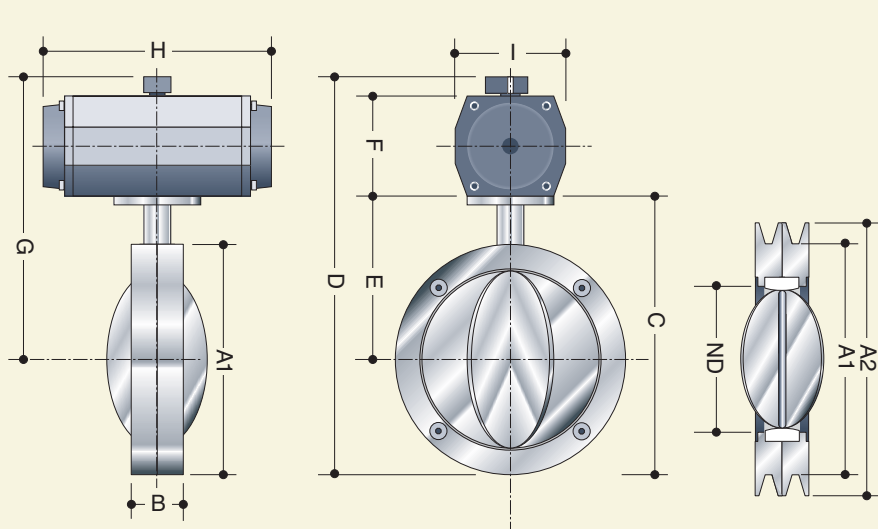


Developed by Sure Seal Incorporated, a leader in valve manufacturing and engineering, the Series 895 Rotary Valve offers a unique approach to the controlled dispensing of product. Engineered to alternate from closed to 180° rotation then reverse direction, rotating back to original orientation provides product delivery without separation and uneven flow.

Sure Seal's 895 Series Rotary Valve was designed to offer superior product control without hindering flow. Ideal for granules and powders which need to be dispensed uniformly in a variety of applications. Designed for a wide range of uses, the Sure Seal 895 Series offers quick disassembling for cleaning and servicing. A stainless steel satin finished body and mirror polished disk offers years of trouble free service while providing a truly sanitary rotary valve. Ideal anywhere a controlled flow of product is required, this valve uses no lubricants and is sterilizable by autoclaving.



Dimensions and Features



Rotary Double Acting Actuator of anodized aluminum to ISO 5211
Air Supply: 58-87 psi (4-6 bar)
Air Consumption: to 80 psi (5.6 bar)
ST-73DAR - about 99.5 cubic inches

Nominal Diameter		A1	A2	B	C	D	E	F	G	H	I
Inch	mm										
4	100	150	180	38	205	298	130	93	223	250	80
6	150	200	230	38	255	348	155	93	248	250	80
8	200	250	280	38	305	398	180	93	273	250	80
10	250	306	330	40	366	488	213	122	335	310	105

Options:
 Stainless Steel Actuator
 NAMUR mono or bistable solenoid valve
 3/2, 5/2, 5/3 - standard and EEx - rated (explosion proof).

Features:

AISI 316 (DIN 1.4401) body, satin finished body, mirror polished upon request
 AISI 316L (DIN 1.4404) mirror polished rotor
 6 lobes (8 upon request) rotor operated by reciprocating movement to introduce a uniform quantity of product
 No seal type o-ring on the shafts
 Easy to disassemble, inspect, clean, available in a quick release configuration with clamp band

Extremely light and compact
 Materials: stainless steel with silicone seal
 Built in accordance with G.M.P. standards
 Allows continuous feeding of product without obstructing product flow
 Holds pressure and vacuum with disk in closed position
 High temperature resistant
 Interchangeable with Sure Seal Valves and 894 Series Sanitary Valves.

Advantages:

Very light and compact compared to traditional star valves
 Stops only in closed position
 Little friction between disk and seal due to reduced contact surface
 No lubricants required
 Sterilizable by autoclave

Applications:

Ground valve for powders containers
 Anywhere a controlled flow of material is required, particularly in the feeding of mills, tablet press machines, capsule filling machines, micro-dosing machines and sieving machines.

Rotary Valve capacity calculation (liters/minute)

To calculate the capacity, multiply the hemisphere volume (see "Total per Cycle") for the cycles in a minute
 Capacity (P) = $\frac{2}{3}\pi r^3 \cdot n$ where $\frac{2}{3}\pi r^3$ = half-sphere volume (l/min)



Making a big difference to your bottom line.

Rt. 2, Box 2242 • Mineral Point, Missouri 63660

1-800-382-1604

(573) 438-5000 • Fx (573) 438-4853 • www.suresealinc.com • e-mail: ssi@suresealinc.com

The data represented in this brochure is for general information only and subject to change without notice. Manufacturer is not responsible for acceptability of these products in regard to individual system requirements. For specific performance data and correct materials selection, please contact your Sure Seal Dealer. ©1999 Sure Seal, Incorporated • Printed in USA.

Nominal Diameter		CAPACITY CYCLE (LITERS/CYCLE)					SEALING			MEAN TORQUE (N/m)
		Number of Pockets	Capacity	Number of Pockets	Capacity	Total per cycle	Vacuum (mm/Hg)	Pressure (psi / bar)		
4	100	6	.09	8	.07	.26	735	22.5	1.5	23
6	150	6	.29	8	.22	.88	735	15.0	1.0	30
8	200	6	.70	8	.52	2.09	700	7.5	.5	35
10	250	6	1.36	8	1.02	4.09	650	4.5	.3	60

cycle = 180° rotation